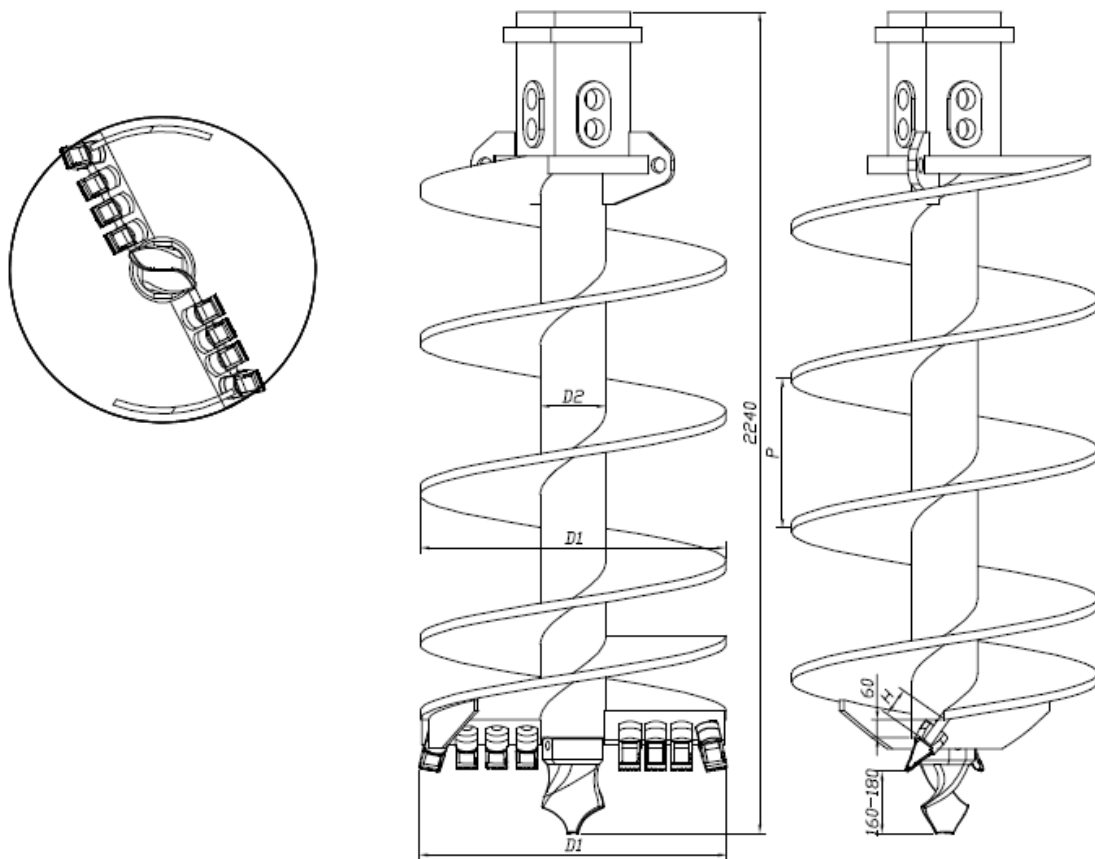
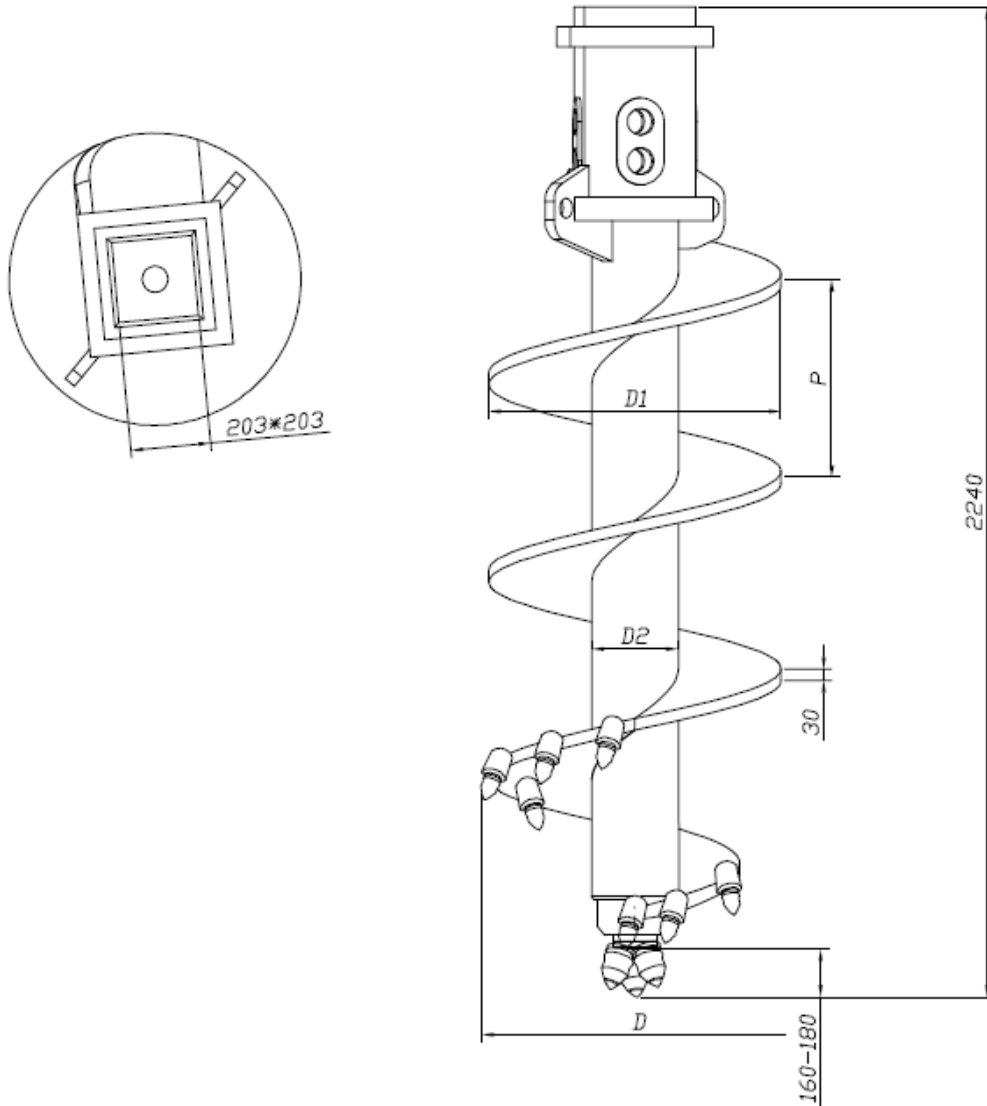


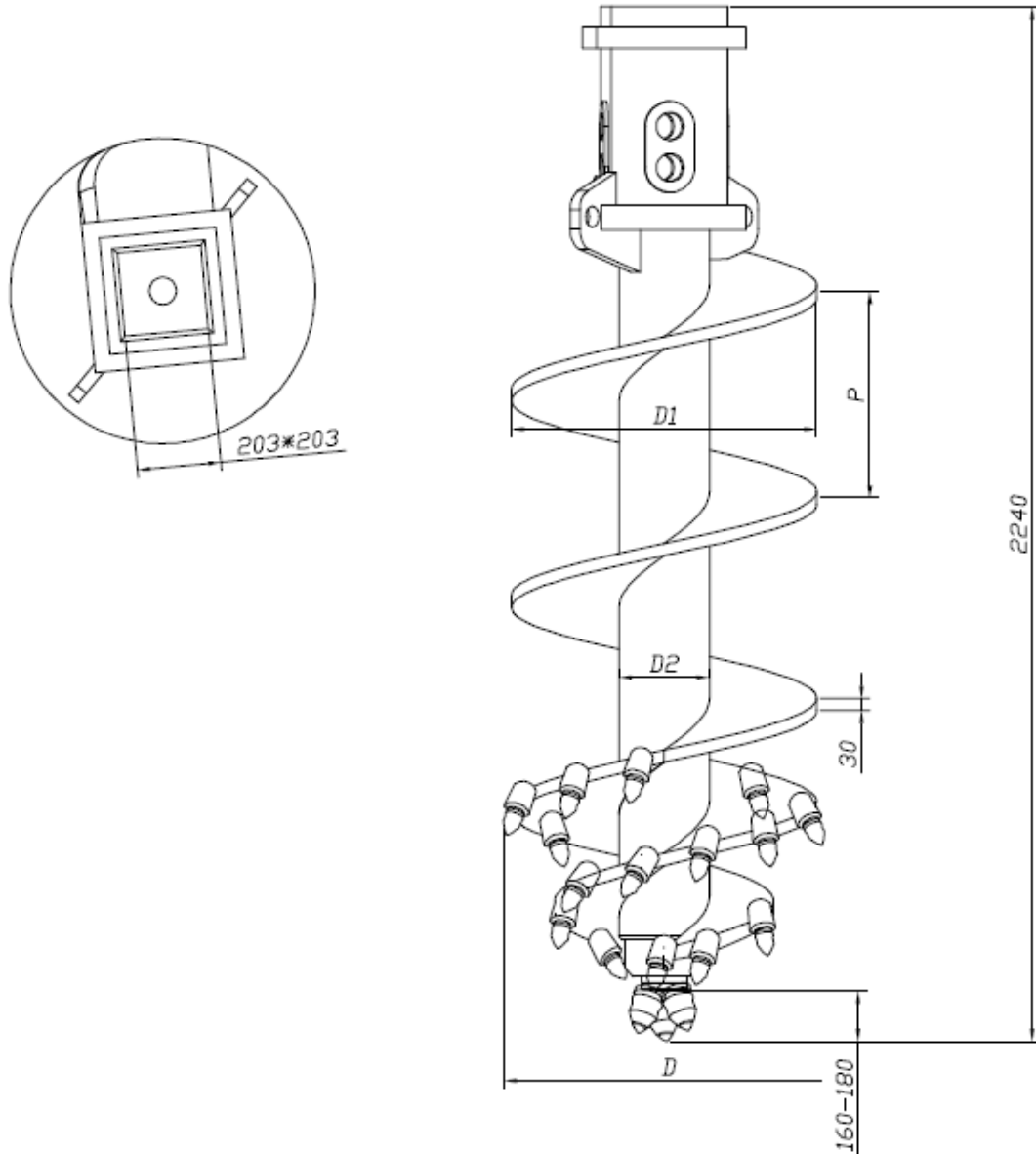
Model	DA-SS-WP
Description	Dirt Auger, single start, single flight, with pilot
Application	Soft to stiff silt and clay, loose to medium dense sand, gravel



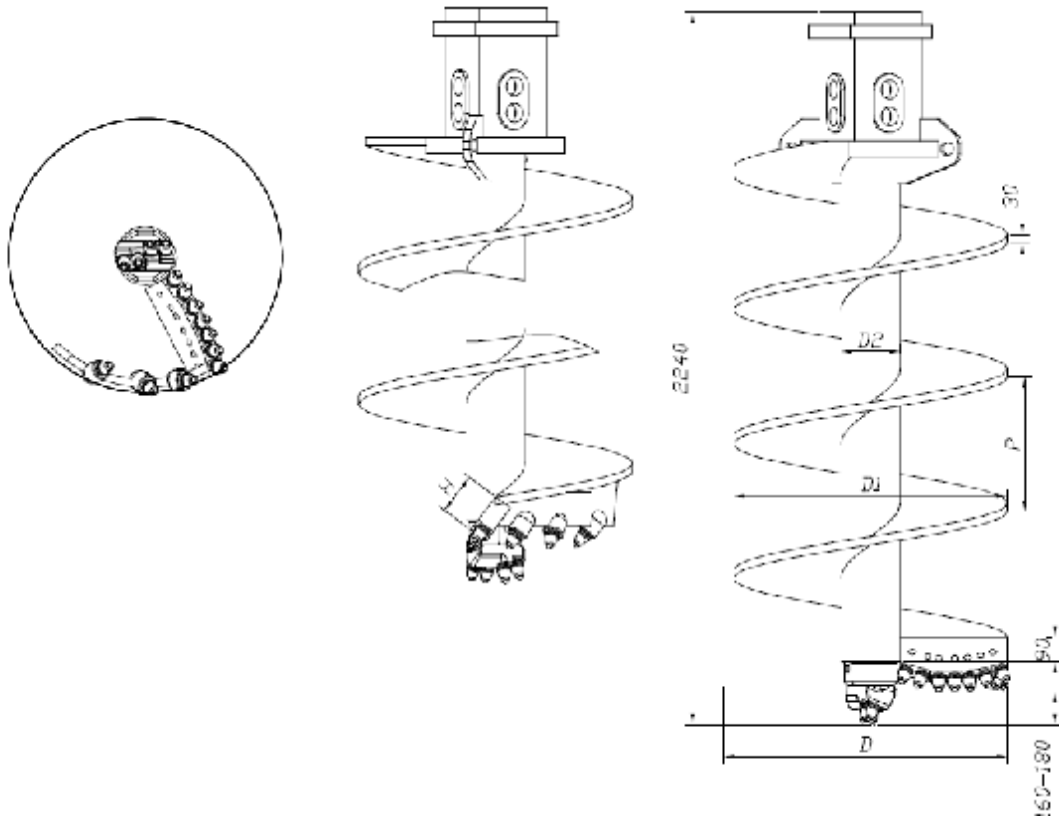
Model	DA -DS-WP
Description	Dirt Auger, double start, single flight, with pilot
Application	Soft to stiff silt and clay, loose to medium dense sand, gravel



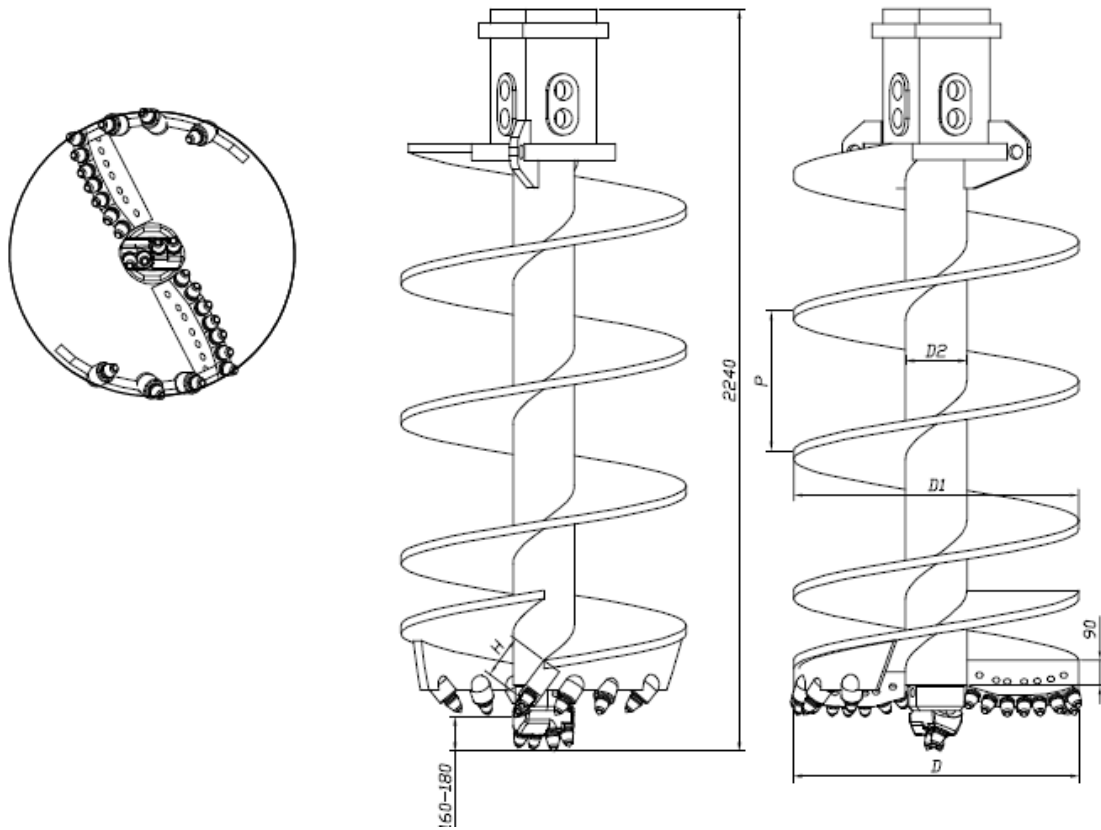
Model	RA-SS-WP
Description	Rock Auger, single start, single flight, with pilot
Application	Moderately strong to strong rock



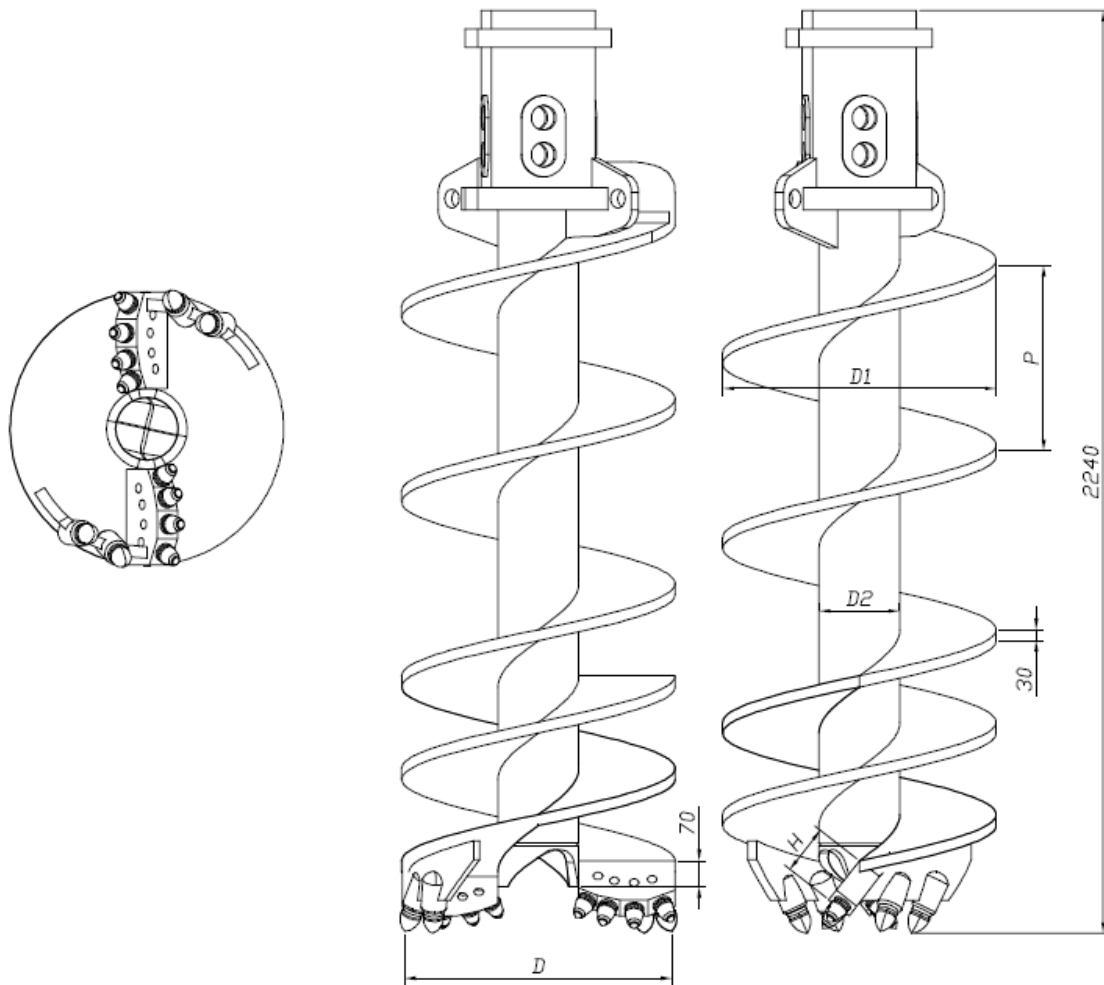
Model	RA-DS-WP
Description	Rock Auger, double Start, single flight, with pilot
Application	Moderately strong to strong rock



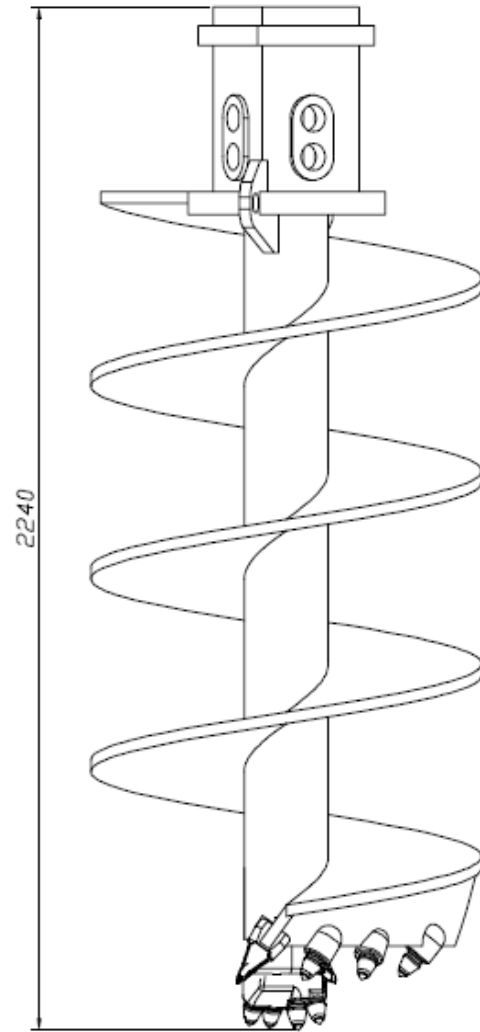
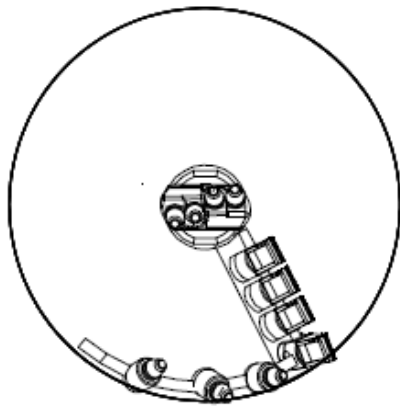
Model	RA-SS-WP-R
Description	Rock Auger, single start, single flight, with pilot, bits on collar plates
Application	Very dense sand and gravel, weak rock



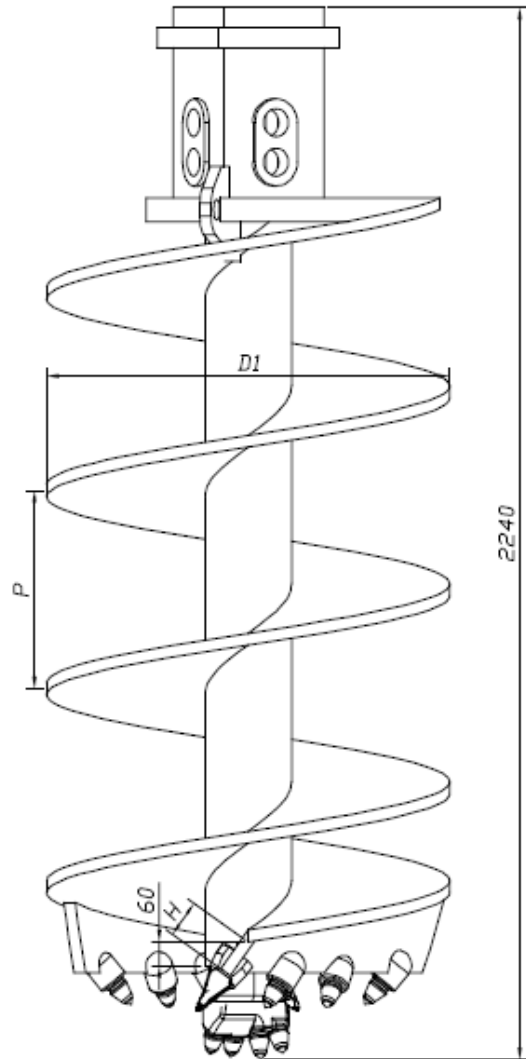
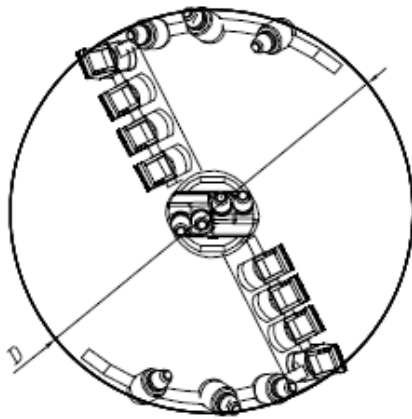
Model	RA-DS-WP-R
Description	Rock Auger, double start, single flight, with pilot, bits on collar plates
Application	Very dense sand and gravel, weak rock



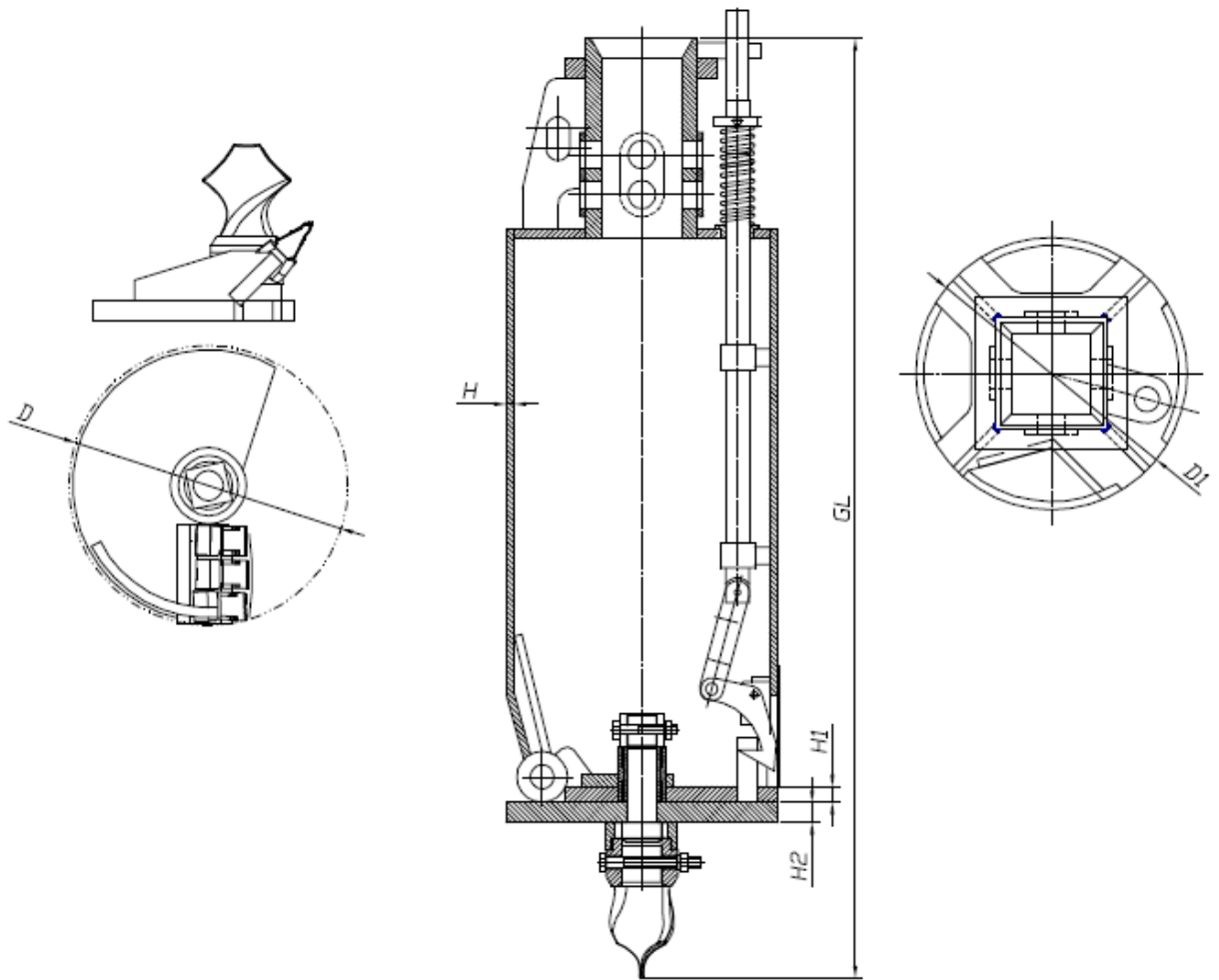
Model	RA-DS-NP-R
Description	Rock Auger, double Start, single flight, no pilot, bits on collar plates
Application	Moderately weak to moderately strong rock, especially fractured rock



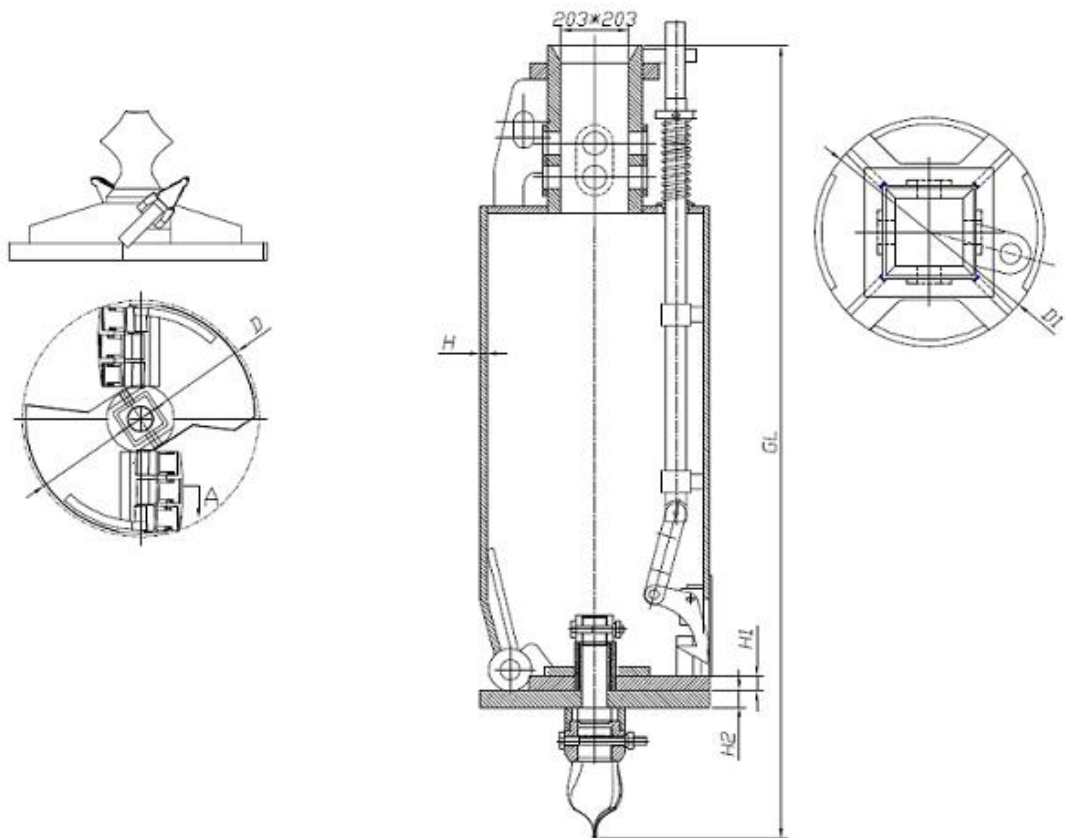
Model	DA-SS-WP-R
Description	Dirt Auger, single Start, single flight, with pilot, bits on collar plates
Application	Stiff to hard silt and clay, medium dense to dense sand, gravel



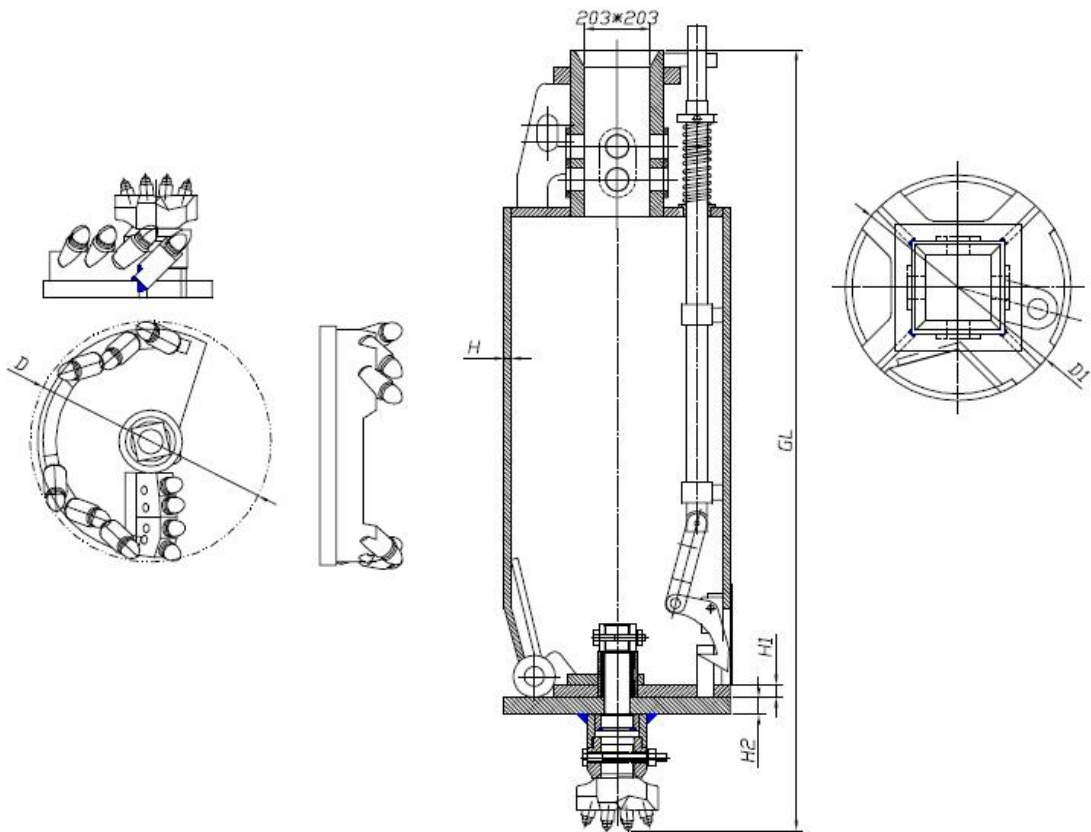
Model	DA-DS-WP-R
Description	Dirt Auger, double Start, single flight, with pilot, bits on collar plates
Application	Stiff to hard silt and clay, medium dense to dense sand, gravel



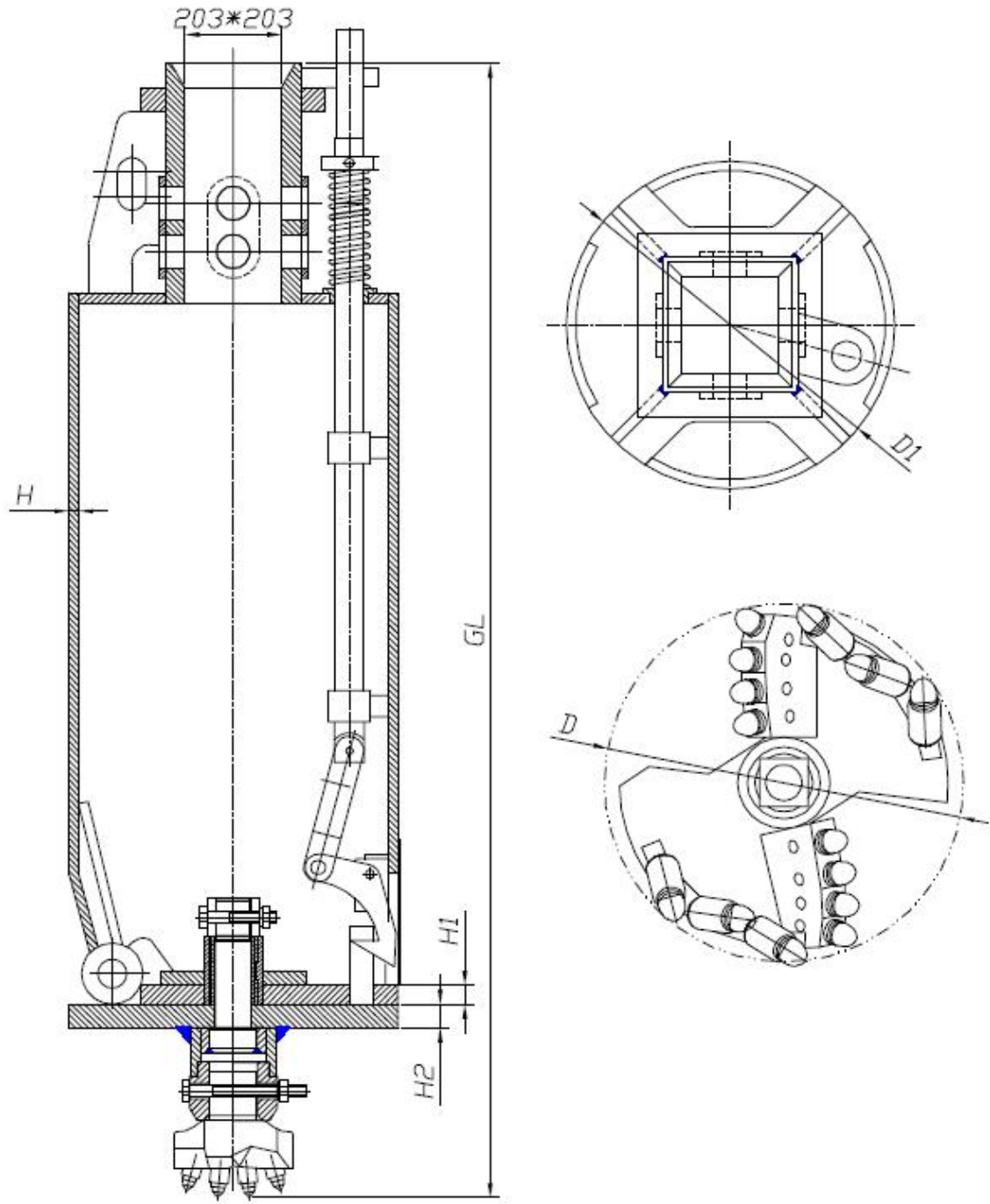
Model	B-SC-WP
Description	Drilling Bucket, single clay teeth cut, with pilot
Application	Soft to stiff silt and clay, loose to medium dense sand, gravel



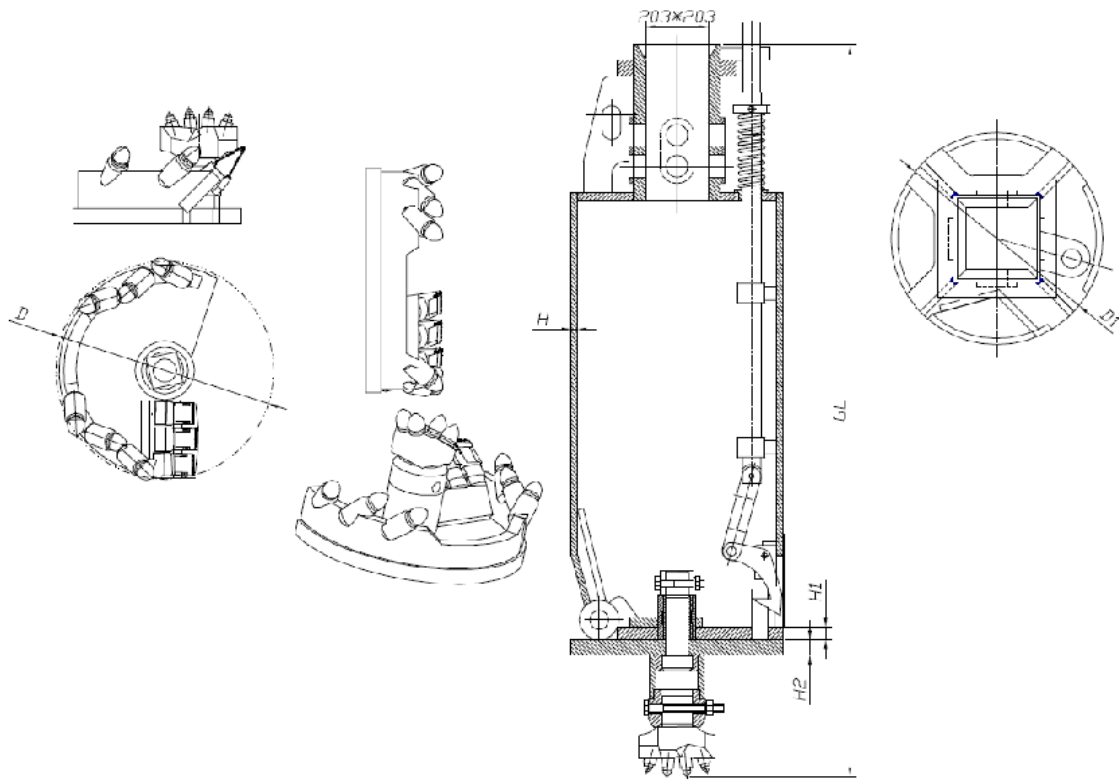
Model	B-SC-WP
Description	Drilling Bucket, double clay teeth cut, with pilot
Application	Soft to stiff silt and clay, loose to medium dense sand, gravel



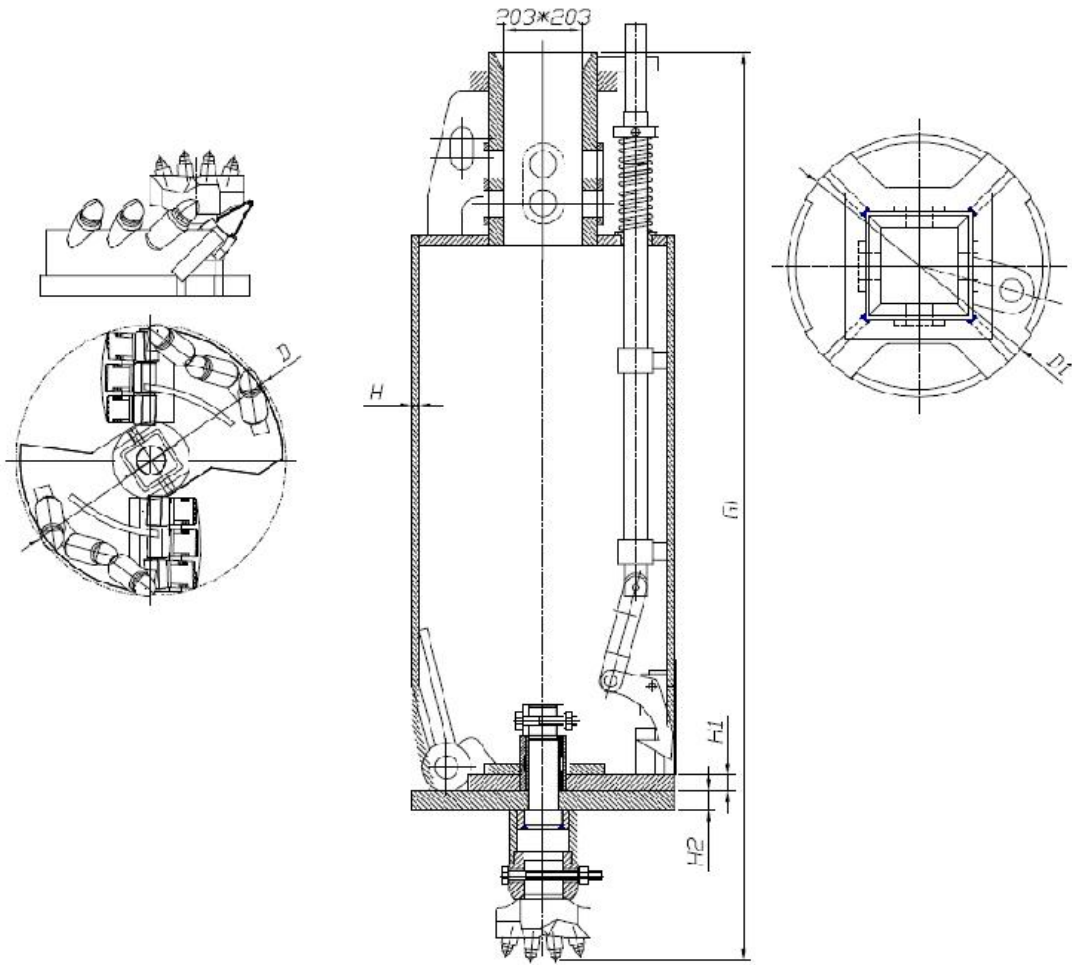
Model	B-SC-WP-R
Description	Drilling Bucket, single rock bits cut, with pilot, bits on collar plates
Application	Very dense sand and gravel, weak rock



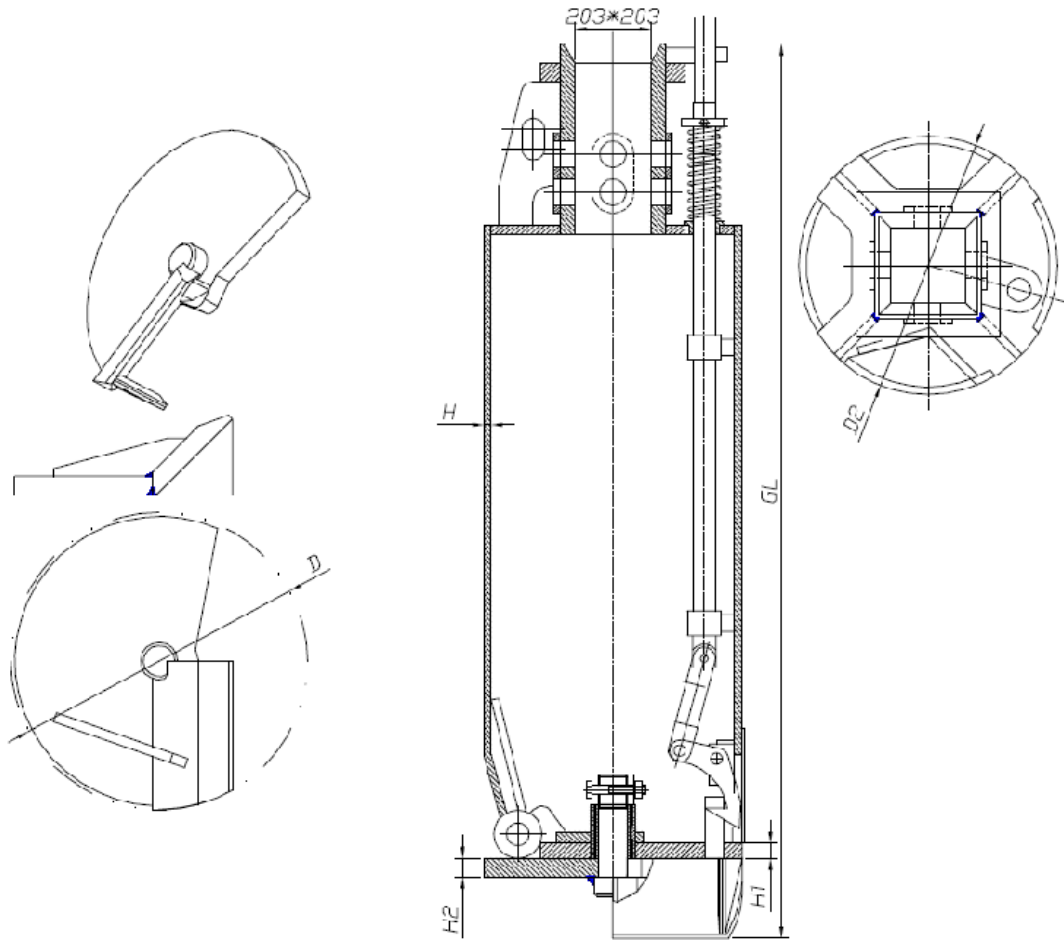
Model	B-DR-WP-R
Description	Drilling Bucket, double rock bits cut, with pilot, bits on collar plates
Application	Very dense sand and gravel, weak rock



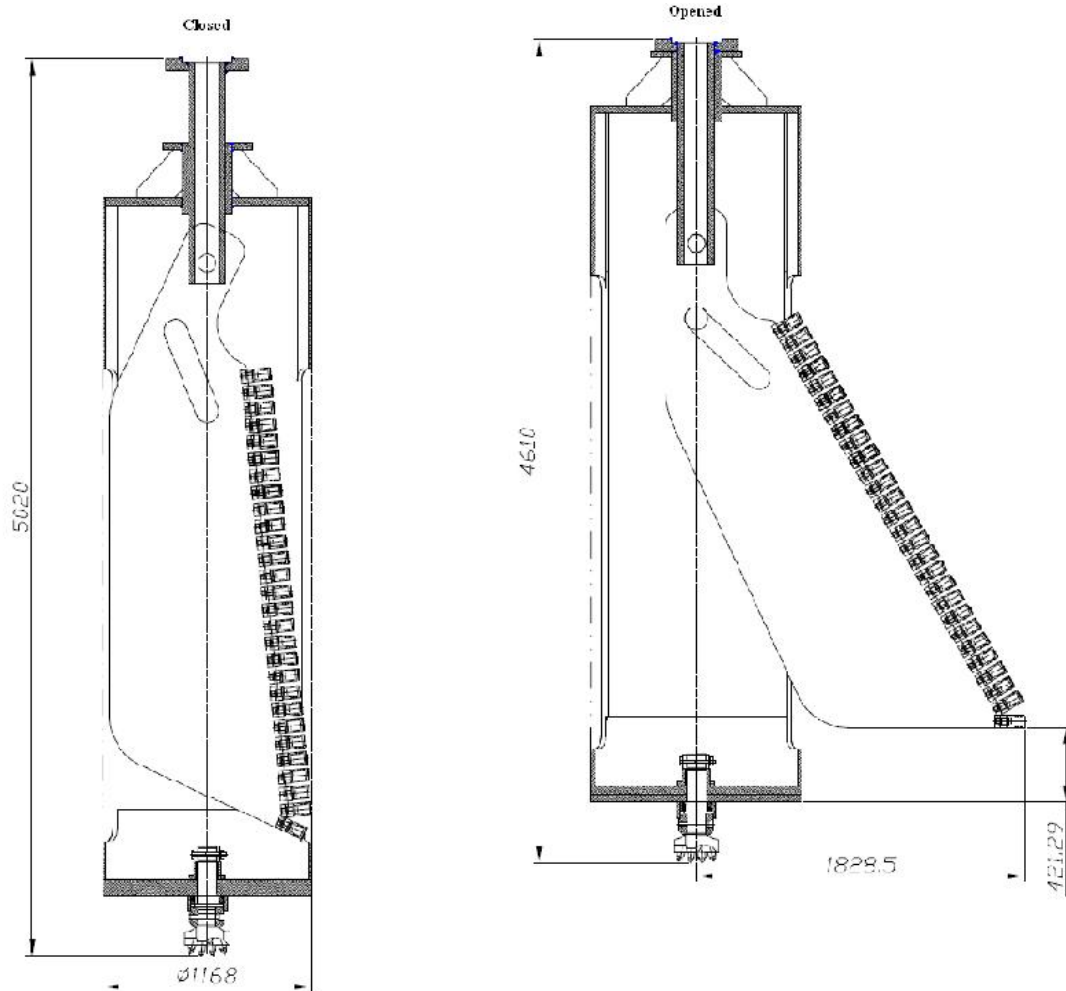
Model	B-SC-WP-R
Description	Drilling Bucket, single clay teeth cut, with pilot, bits on collar plates.
Application	Soft to hard silt and clay, loose to dense sand and gravel



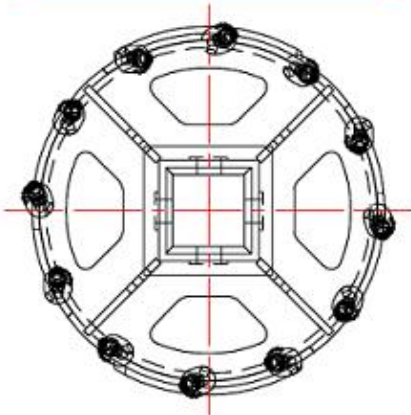
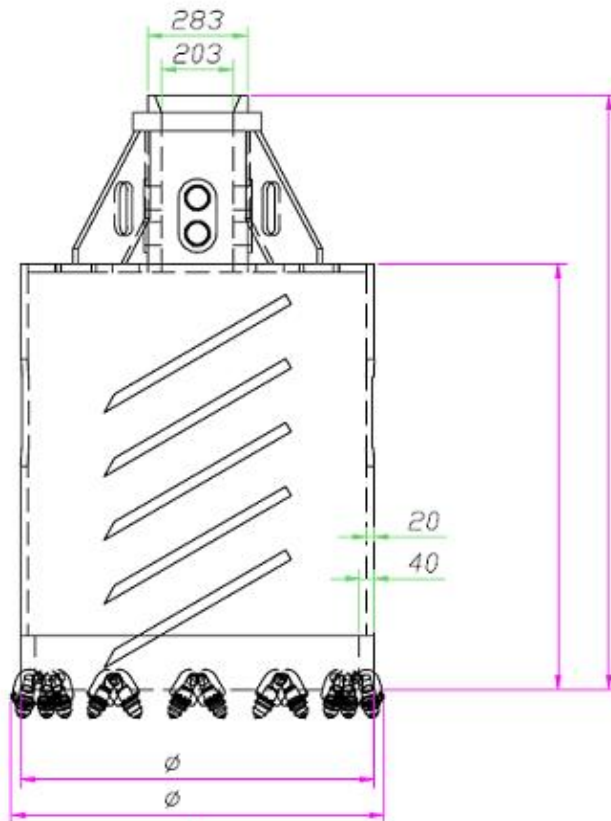
Model	B-DC-WP-R
Description	Drilling Bucket, double clay teeth cut, with pilot, bits on collar plates.
Application	Soft to hard silt and clay, loose to dense sand and gravel



Model	B-CU-NP
Description	Bucket for cleanup
Application	Cleaning the bottom of bored hole



Model	BB
Description	Belling Bucket
Application	Enlarging pile base



Model	CR-BL
Description	Core Barrel
Application	Cutting through strong rock